



_ INNOVATIVE COATING FOR DRILLS

Ready to take on
even your toughest job.

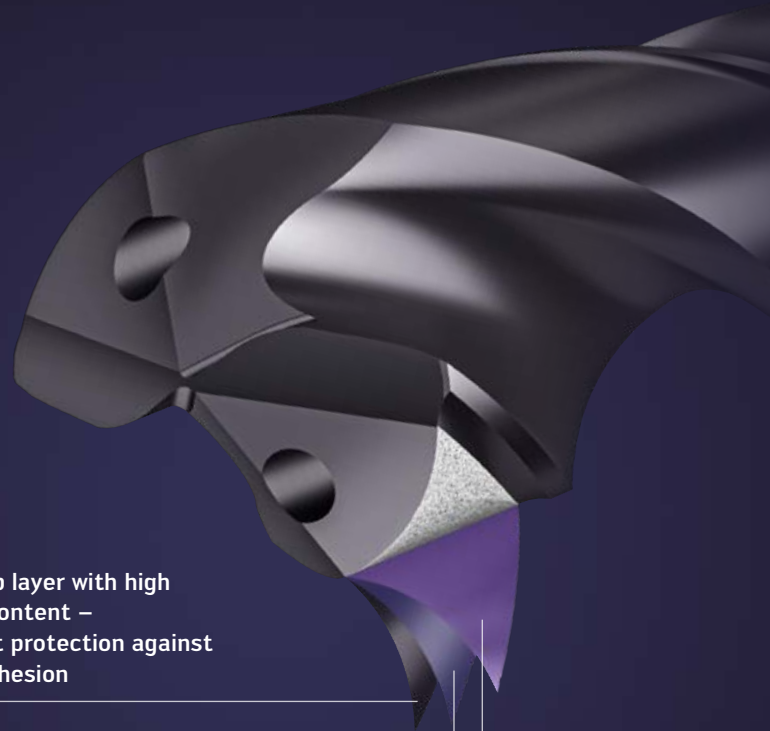
Krato-tec™

Drilling from solid



Krato-tec™

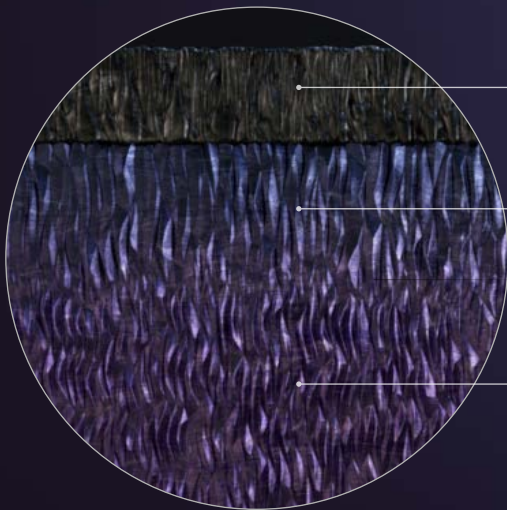
TO ACHIEVE TOP PERFORMANCE, THE COATING IS KEY.



Textured top layer with high aluminium content – for excellent protection against wear and adhesion

AlTiN graded transition position – for an exceptional balance of residual stress

AlTiN base layer with optimised toughness – prevents cracks in the coating

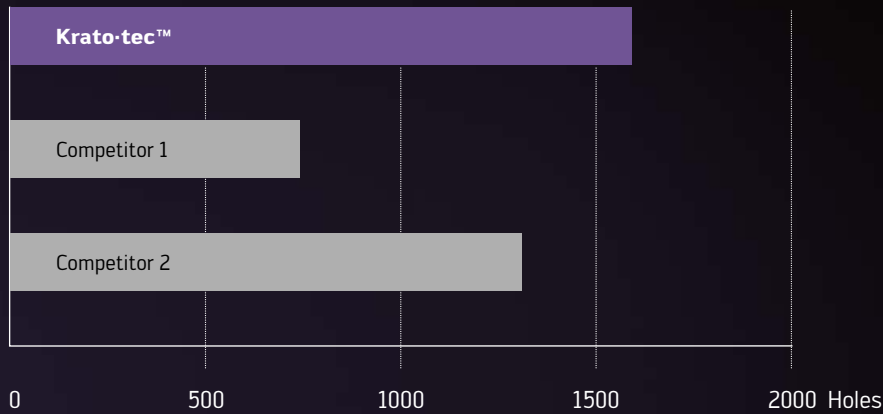


FRACTURE RESISTANCE: 30% INCREASE!



MACHINING TEST 1 – ISO P: 42CRMO4; 1000 N/MM²

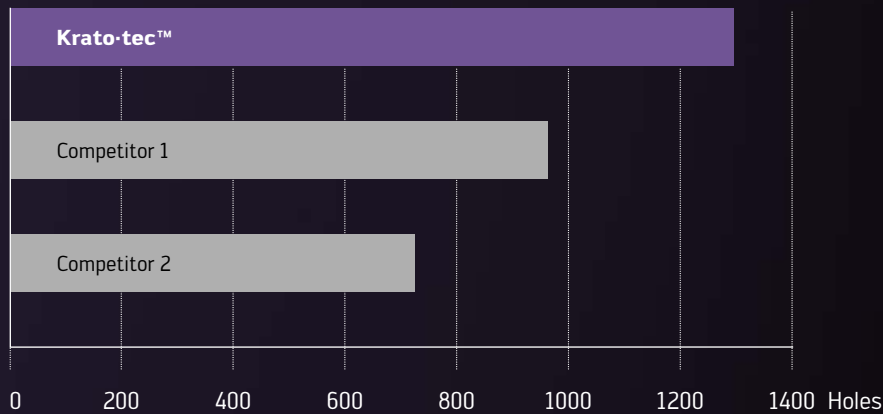
P



Dia. 8.5 mm; through hole = 30 mm

MACHINING TEST 2 – ISO K: EN-GJL1040; 200 HB

K



Dia. 8.5 mm; through hole = 30 mm

Krato-tec™

Excellent fracture resistance and significant tool life increases are the result of meticulous development work and considerable application expertise.

Comprehensive practical tests have proved that solid carbide drills with the unique Krato-tec™ multi-layer coating boast performance data that was unthinkable until now.

This represents a huge step forward in drilling from solid, which is not only based on innovative geometries but is also made possible by a special external feature, namely the coating.

- Maximum cost-efficiency due to new Krato-tec™ multi-layer coating
- Highly productive and reliable thanks to innovative new layer architecture
- Ultimate protection against wear and adhesion at high cutting speeds
- Exceptional machining performance in many different materials

UNIVERSAL AND RELIABLE.

DC180 SUPREME SOLID CARBIDE DRILL – X-TREME EVO PLUS

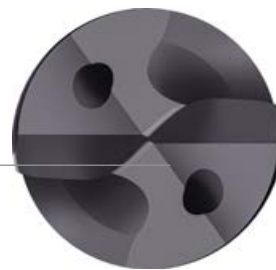
The straight cutting edge of the X-treme Evo Plus ensures ultimate process reliability, while the Krato-tec™ coating technology is raising the bar for productivity. The X-treme Evo Plus is further set apart by its universal application range – especially at high cutting speeds. The double-edged tool can be used with emulsion, oil or minimum quantity lubrication (MQL).



Shank in accordance with DIN 6535 HA, shank end in accordance with DIN 69090

140° point angle

Straight cutting edge for maximum stability



powered by **Krato-tec™**

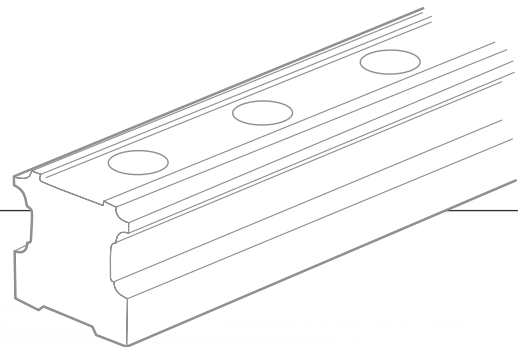
Also available as

Walter Xpress

Suitable for reconditioning



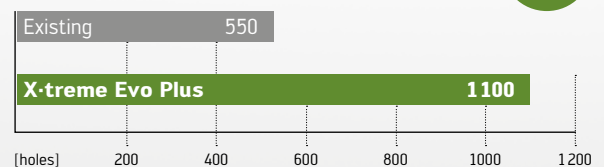
Application example – guide rail



Material: 60Cr3
Tensile strength: 850 N/mm²
Tool: X-treme Evo Plus – special chamfer drill
 DC280-05-15.500A1.WJ30EZ
Cooling: 10% emulsion – 40 bar

Cutting data:	Existing	Walter X-treme Evo Plus
v _c [m/min]	140	140
n [rpm]	2877	2877
f [mm/rev]	0.25	0.25
v _f [mm/min]	719	719
Drilling depth [mm]	45.4	45.4
No. of holes	550	1100

Comparison: Tool life



PRECISE POSITIONING – PRODUCTIVE HOLEMAKING.

DC183 SUPREME SOLID CARBIDE DRILL – X-TREME EVO 3

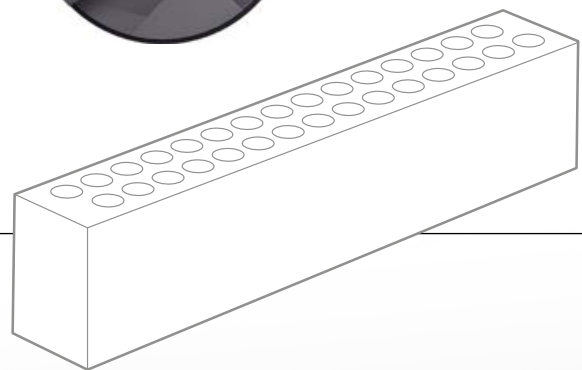
With its three cutting edges, the X-treme Evo 3 achieves the very highest metal removal rates, while ensuring improved bore roundness. The unique Krato-tec™ coating technology offers ultimate productivity you can rely on. The three-edged X-treme Evo 3 can be used with emulsion, oil or minimum quantity lubrication (MQL).



Also available as
Walter Xpress

Suitable for reconditioning

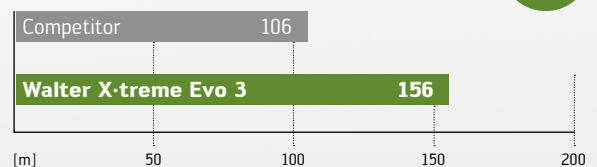
Application example – demo component



Material: 42CrMo4
Tensile strength: 1.050 N/mm²
Tool: X-treme Evo 3
DC183-08-08.500A1-WJ30EY
Cooling: 6% emulsion – 40 bar

Cutting data:	Competitor	Walter DC183 Supreme
v_c [m/min]	100	100
n [rpm]	3745	3745
f [mm/rev]	0.4	0.4
v_f [mm/min]	1500	1500
Drilling depth [mm]	65	65
Tool life distance [m]	106	156

Comparison: Tool life distance



+47%

SUSTAINABLE PRODUCTS AND SERVICES – CERTIFIED AND TRANSPARENT.



Environmental and energy management

Environmental protection is an important company objective for Walter. We use energy efficiently and deploy practical methods to sustainably reduce the consumption of energy, water and resources.



Occupational health and safety

Walter protects its employees against health hazards. To prevent accidents, we continuously review our processes and take proactive measures as a precaution.

Walter is a company that takes responsibility for people and the environment. Sustainability is a central component of our corporate strategy. It pervades our products and business divisions and is reviewed and certified by independent third parties on a regular basis.

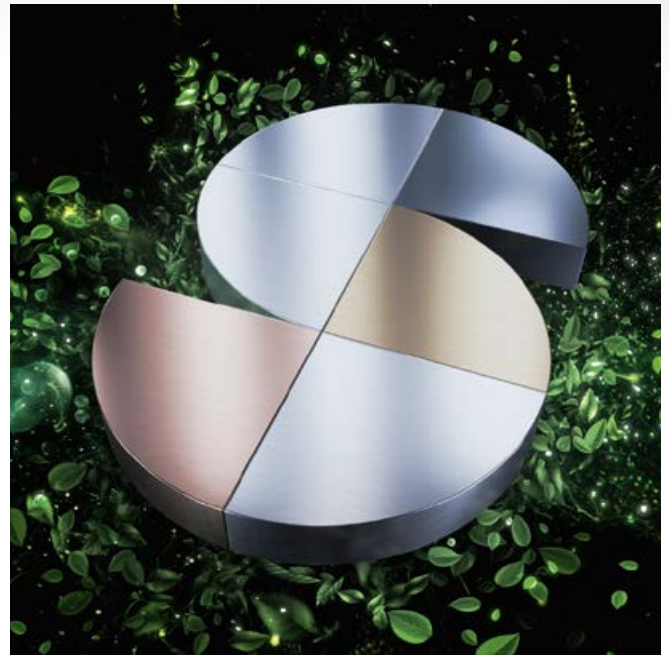
Proven to be produced to high standards

All processes, procedures, methods and instruments that we use are checked and certified by an independent body according to strict criteria. Occupational health and safety, quality assurance and environmentally friendly actions (for example, through offsetting the carbon emissions from our energy consumption) are examples of this. Our social commitment shows that Walter has a broader definition of responsibility.



Quality management

Walter is continuously improving its products and processes. We ensure our product quality using effective measures and procedures – and check it on a regular basis with our comprehensive quality management system.



The integrated management system at Walter includes certification in accordance with:

- ISO 9001 (Quality management)
- ISO 14001 (Environmental management)
- ISO 45001 (Occupational health and safety management)
- ISO 50001 (Energy management)
- Certified in accordance with the EcoVadis Gold Standard and NQC Rating

Transparency throughout the entire process chain – for your peace of mind

The integrated management system at Walter includes the sustainable use of resources and production equipment as well as of people – our customers, partners and employees. So that you can count on all of our products meeting these requirements throughout the entire process chain, we apply our own benchmarks to our suppliers too.

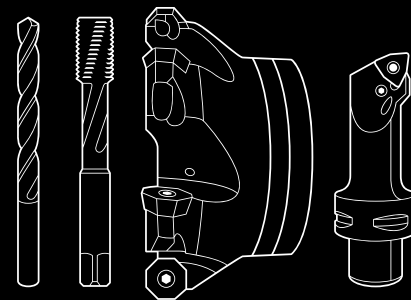
You can find more information on Walter certification here:



Walter AG

Derendinger Straße 53, 72072 Tübingen
Postfach 2049, 72010 Tübingen
Germany

walter-tools.com



Europe

Walter Austria GmbH

Wien, Österreich
+43 1 5127300-0, service.at@walter-tools.com

Walter Benelux N.V./S.A.

Zaventem, Belgique
(B) +32 (02) 7258500
(NL) +31 (0) 900 26585-22
service.benelux@walter-tools.com

Walter (Schweiz) AG

Solothurn, Schweiz
+41 (0) 32 617 40 72, service.ch@walter-tools.com

Walter CZ s.r.o

Kurim, Czech Republic
+420 (0) 541 423352, service.cz@walter-tools.com

Walter Deutschland GmbH

Frankfurt, Deutschland
+49 (0) 69 78902-100, service.de@walter-tools.com

Walter France

Soultz-sous-Forêts, France
+33 (0) 3 88 80 20 00, service.fr@walter-tools.com

Walter Hungária Kft.

Budapest, Magyarország
+36 1 464 7160, service.hu@walter-tools.com

Walter Tools Ibérica S.A.U.

El Prat de Llobregat, España
+34 934 796760, service.iberica@walter-tools.com

Walter Italia s.r.l.

Via Volta, s.n.c., 22071 Cadorago - CO, Italia
+39 031 926-111, service.it@walter-tools.com

Walter Norden AB

Halmstad, Sweden
+46 (0) 35 16 53 00, service.norden@walter-tools.com

Walter Polska Sp. z o.o.

Warszawa, Polska
+48 (0) 22 8520495, service.pl@walter-tools.com

Walter Tools SRL

Timișoara, România
+40 (0) 256 406218, service.ro@walter-tools.com

Walter Tools d.o.o.

Maribor, Slovenija
+386 (2) 629 01 30, service.si@walter-tools.com

Walter Slovakia, s.r.o.

Nitra, Slovakia
+421 (0) 37 3260 910, service.sk@walter-tools.com

Walter Kesici Takımlar Sanayi ve Ticaret Ltd. Şti.

Bursa, Türkiye
+90 (0) 224 909 5000 Pbx, service.tr@walter-tools.com

Walter GB Ltd.

Bromsgrove, England
+44 (1527) 839 450, service.uk@walter-tools.com

Asia

Walter Wuxi Co. Ltd.

Wuxi, Jiangsu, P.R. China
+86 (510) 853 72199, service.cn@walter-tools.com

Walter Wuxi Co. Ltd.

中国江苏省无锡市新区新畅南路 3 号
电话 : +86-510-8537 2199 邮编 : 214028
客服热线 : 400 1510 510
邮箱 : service.cn@walter-tools.com

Walter Tools India Pvt. Ltd.

Pune, India
+91 (20) 6773 7300, service.in@walter-tools.com

Walter Japan K.K.

Nagoya, Japan
+81 (52) 533 6135, service.jp@walter-tools.com

ワルタージャパン株式会社

名古屋市中村区名駅二丁目 45 番 7 号
+81 (0) 52 533 6135, service.jp@walter-tools.com

Walter Korea Ltd.

Anyang-si Gyeonggi-do, Korea
+82 (31) 337 6100, service.wkr@walter-tools.com

한국발터(주)

경기도 안양시 동안구 학의로 282
금강펜테리움 106호 14056
+82 (0) 31 337 6100, service.wkr@walter-tools.com

Walter Malaysia Sdn. Bhd.

Selangor D.E., Malaysia
+60(3)-5624 4265, service.my@walter-tools.com

Walter AG Singapore Pte. Ltd.

+65 6773 6180, service.sg@walter-tools.com

Walter (Thailand) Co., Ltd.

Bangkok, 10120, Thailand
+66 2 687 0388, service.th@walter-tools.com

America

Walter do Brasil Ltda.

Sorocaba – SP, Brasil
+55 15 32245700, service.br@walter-tools.com

Walter Canada

Mississauga, Canada
service.ca@walter-tools.com

Walter Tools S.A. de C.V.

El Marqués, Querétaro, México
+52 (442) 478-3500, service.mx@walter-tools.com

Walter USA, LLC

Greer, SC, USA
+1 800-945-5554, service.us@walter-tools.com